

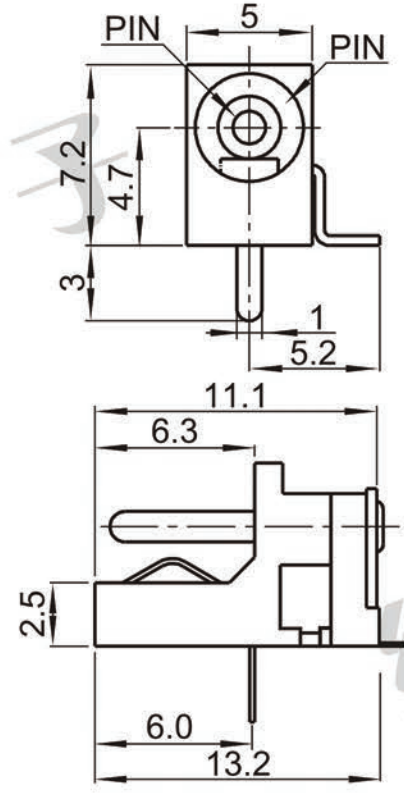
REV.	ECN.NO.	APPD.
A	/	pcy



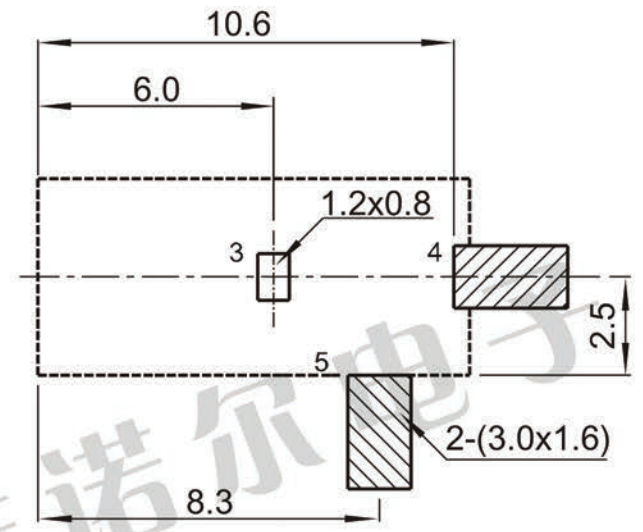
DC-001C



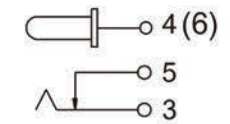
DC-002C



P.C.B LAYOUT TOP VIEW



PIN	φ0.7	φ1.0	φ1.3
APPD			



Pin Number	Signal Name
1	VBUS
2	D-
3	D+
4	GND
5	SSRX-
6	SSRX+
7	GND
8	SSTX-
9	SSTX+
Shell	Shield

TOLERANCE UNLESS OTHERWISE SPECIFIED	
.XXX ±0.10	.X ±3°
.XX ±0.20	.XX ±2°
.X ±0.30	

WIRE 乐清市维诺尔电子科技有限公司
YUEQING WEINUOER ELECTRONIC TECHNOLOGY CO.,LTD.

APPROVED		PART NAME:	电源插座 DC-002C			
CHECKED		PART No:	DC-002C			C
DRAWN	pengchaoyong	PROJECTION:	UNIT:	SCALE	SHEET	REV.
DATE	2014.10.24		mm	1:1	10F1	A