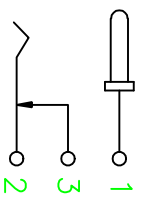
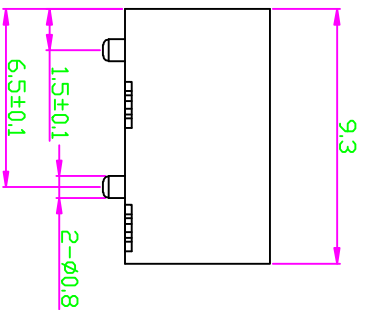
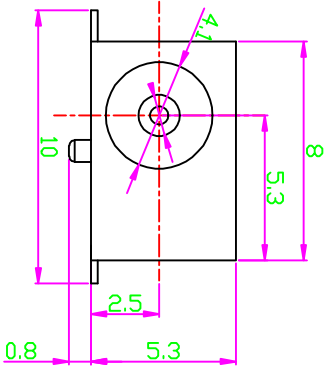
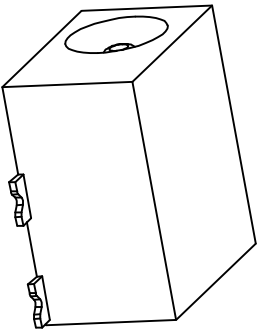


PCB LAYOUT TOP VIEW



CIRCUIT DIAGRAM



④	③	②	①	PL (CHECK)	PL (CHECK)	QTY	MATERIAL (TRICE, COLOR)	REMARK
④	ROHSING DC-6000	1	1	309	050-Plated			
③	PIN DC-6000	1	1	309	Ag-Plated			
②	TERMINAL DC-6000-2#	1	1	309	Ag-Plated			
①	TERMINAL DC-6000-1#	1	1	309	Ag-Plated			
PART NAME		DATE		SCALE: 4 : 1				
No.		DATE		VDR:				
DSND		DATE		UNIT: mm				
CHD		DATE						
APVD		DATE						

ANGULAR	±8°
16 < L ≤ 63	±0.3
4 < L ≤ 16	±0.8
L ≤ 4	±0.15

UNSPECIFIED TOLERANCE