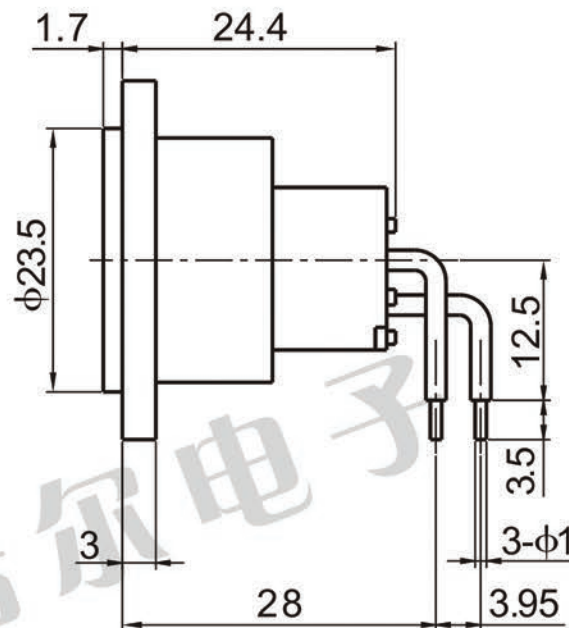
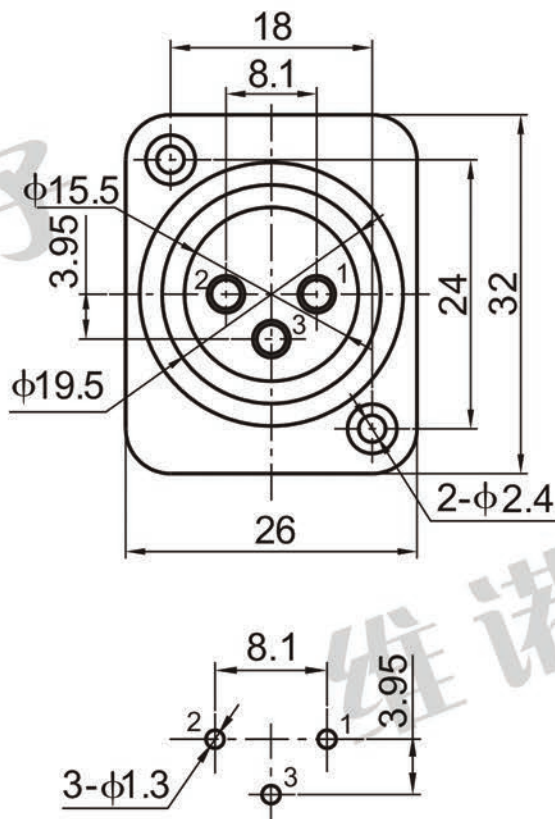




**CT3-08FA**



REV.	ECN.NO.	APPD.
A	/	pcy

Pin Number	Signal Name
1	VBUS
2	D-
3	D+
4	GND
5	SSRX-
6	SSRX+
7	GND
8	SSTX-
9	SSTX+
Shell	Shield

TOLERANCE UNLESS OTHERWISE SPECIFIED		乐清市维诺尔电子科技有限公司 YUEQING WEINUOER ELECTRONIC TECHNOLOGY CO.,LTD.				
.XXX ±0.10	.X* ±3*					
.XX ±0.20	.XX* ±2*					
.X ±0.30						
APPROVED		PART NAME:	XLR (CT) 连接器			
CHECKED		PART No:	CT3-08FA	C		
DRAWN	pengchaoyong	PROJECTION:	UNIT:	SCALE	SHEET	REV.
DATE	2014.10.24		mm	1:1	10F1	A